

# Quantum Information with Solid-State Devices

VO 141.A55

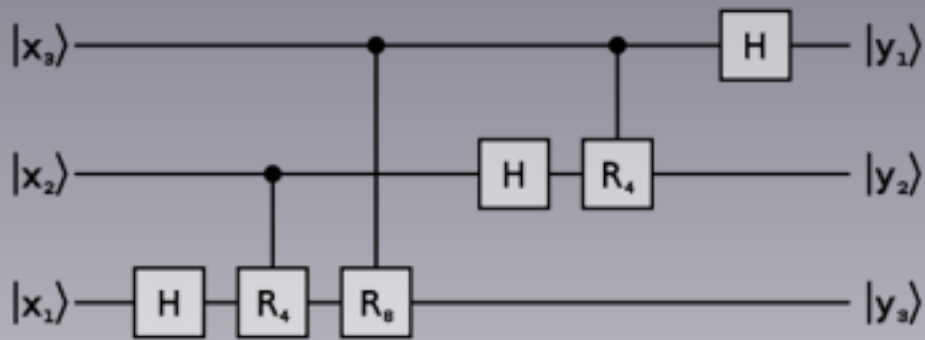
SS2016

Dr. Johannes Majer

Lecture 5



# I Basic Concepts



simple quantum algorithms  
Deutsch-Josza algorithm  
Grover search algorithm  
DiVincenzo criteria

